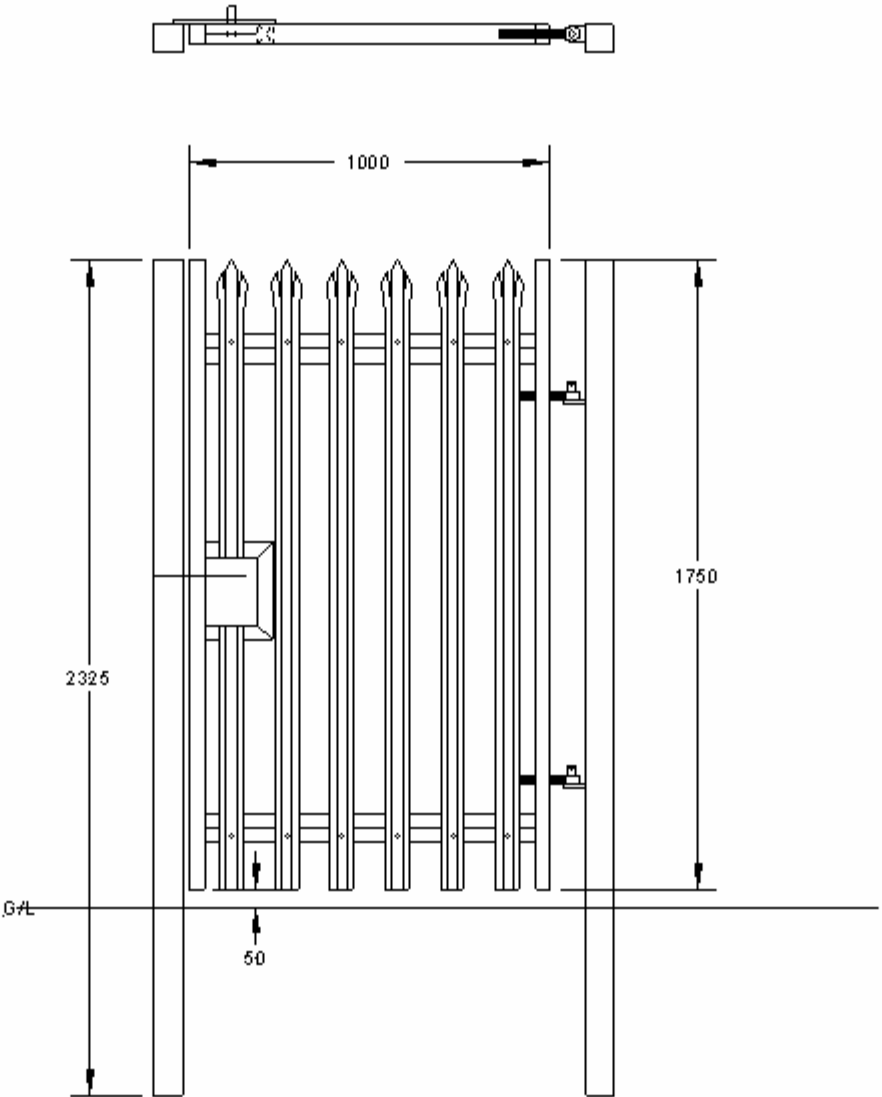


ALL DIMENSIONS IN MILLIMETRES



Gate frame 60x40 RHS
Posts 60x60 RHS

1.2m High x 1.0m Wide Palisade Gate

REV	DESCRIPTION	BY	DATE
	McARTHUR		
	159 2002 Broomhill Road, Bristington Trading Estate		
		Damen	